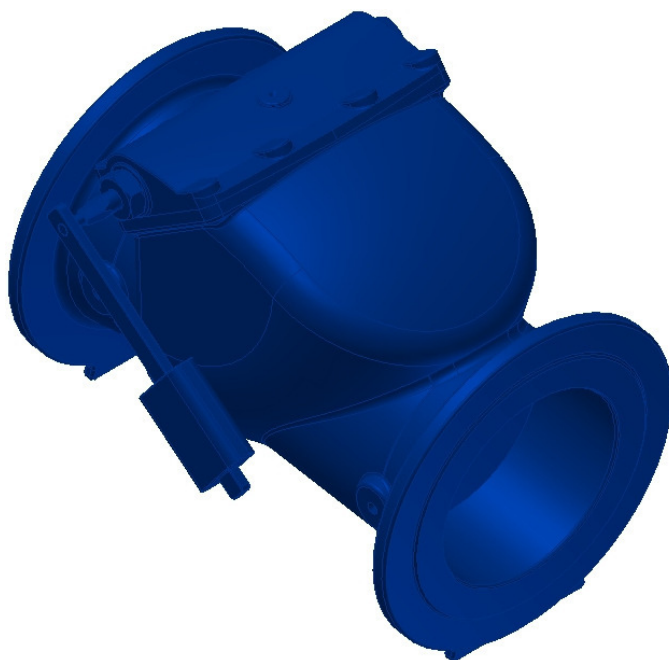


Soft seated check valve with rubberlined disc, low maintenance, with free passage, for potable water and wastewater pipes and building and industrial plants

Futures:

- Face to Face acc. EN 558-1 series 48 (DIN 3202/F6)
- Size: DN50 to DN300
- Flange connection acc. DIN EN 1092-2 PN16 (DN50-DN150), PN10 (DN200-DN300)

- Low maintenance
- Soft seated disc
- With lever and weight right-hand (optional: left-hand)
- Horizontal and vertical installation (flow direction upwards)
- Low noise operation
- With free passage



Material

- **Body, bonnet, disc handle:**
 - ✚ EN- JS 1050 (GGG-50)
Other materials on request

- **Rubberlined disc:**
 - ✚ EN- JS 1050 (GGG-50) EPDM KTW rubberlined
 - ✚ EN- JS 1050 (GGG-50) NBR rubberlined
Other materials on request

- **Stem:**
 - ✚ 1.4301 (stainless steel)
Other materials on request

- **Bolts:**
 - ✚ stainless steel
Other materials on request

- **Lever and weight:**
 - ✚ EN- JS 1050 (GGG-50)
Other materials on request

Corrosion protection

- *In- and Outside fusion bonded epoxy, RAL5005 blue*
Other coating systems and RAL colors on request

Application:

- *Water management*
- *Industry*
- *Building technology*

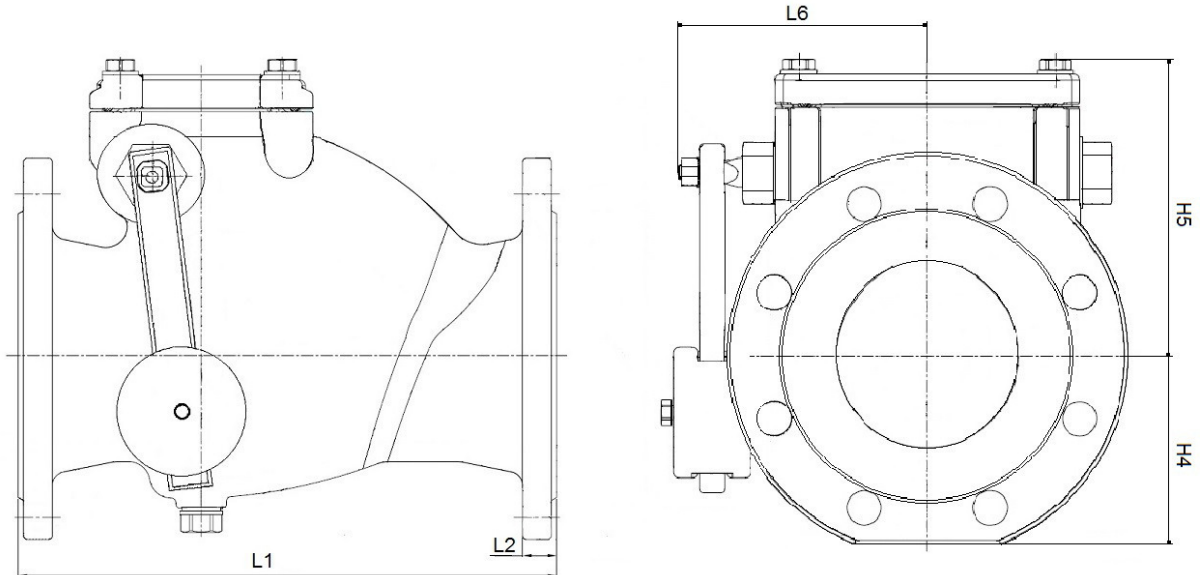
Accessories:

- *Protective cage for lever and weight (only on right-hand)*

Our approvals



Dimension and weight



Size DN	FTF L1	H4	H5	H2	L6	weight
	mm	mm	mm	mm	mm	kg
50	200	77	120	20	110	11,5
65	240	88	130	20	115	15
80	260	93	140	20	130	17
100	300	104	165	20	142	24
125	350	119	170	20	153	36
150	400	134	190	21	175	48
200	500	171	240	22	235	85
250	600	200	290	23	257	132
300	700	243	330	25	312	210

Other diameter on request