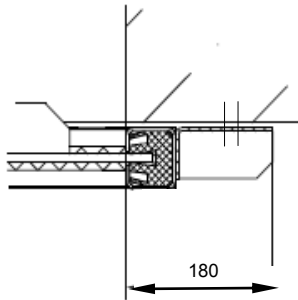


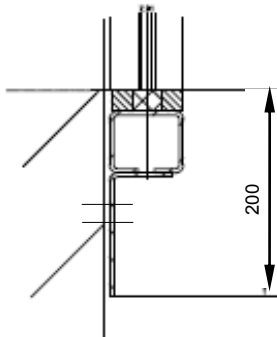
ATEC CHANNEL PENSTOCK LTEC 01.11.10.10

Details

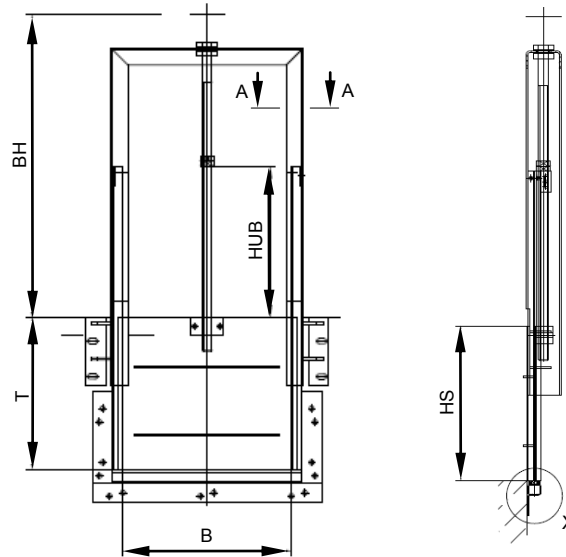
Section A-A



Detail X



ATEC CHANNEL PENSTOCK LTEC for anchor bolting with straight sill for anchor bolting from 150x150 to 1200x1200*



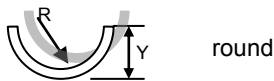
Materials

Frame**	Door**	Seal**	Stem**	Connection Parts**
SS 316	SS 304	Chloroprene	SS 304	A4
SS 304	SS 316	Chloroprene	SS 316	A4

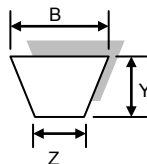
Example for placing an order *****

ATEC CHANNEL PENSTOCK LTEC for anchor bolting with straight sill for anchor bolting	Prod. No.	01.11.10.10
ATEC CHANNEL PENSTOCK LTEC for anchor bolting with round sill for grouting	Prod. No.	01.11.20.80
ATEC CHANNEL PENSTOCK LTEC for anchor bolting with trapezoidal sill for grouting	Prod. No.	01.11.30.80
ATEC CHANNEL PENSTOCK LTEC for anchor bolting with triangular sill for grouting	Prod. No.	01.11.40.80
Designed to catalogue sheet		01.11.10.10

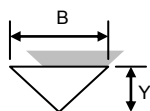
Special sills are designed for grouting.



round



trapezoidal



triangular

Materials***	Dimensions***
Frame:	B x HS: mm
Door:	Channel depth T****: mm
Seal: Chloroprene	Working pressure: mwc or bar
Connection parts: A4	Direction of pressure: V.. R..
	Travel HUB: mm
	Operation height BH: (900)mm
	Sill design*** : R.. Y.. Z..

* Other dimensions on request.

** Other materials and/or combinations on request

*** Please specify with the enquiry/order.

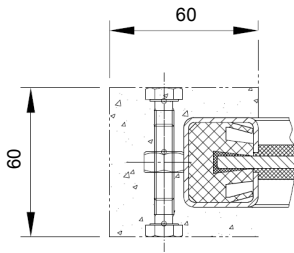
**** Dimension from penstock invert to upper edge of structure.

***** Detailed description see tender specification.

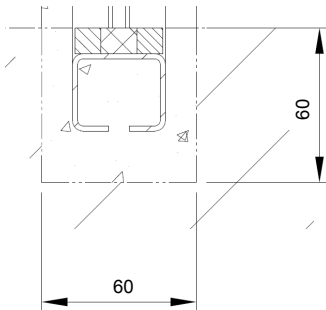
ATEC CHANNEL PENSTOCK LTEC 01.11.10.20

Details

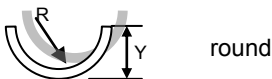
Section A-A



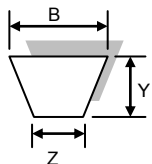
Detail X



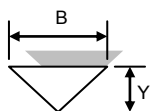
Special sills are designed for grouting.



round

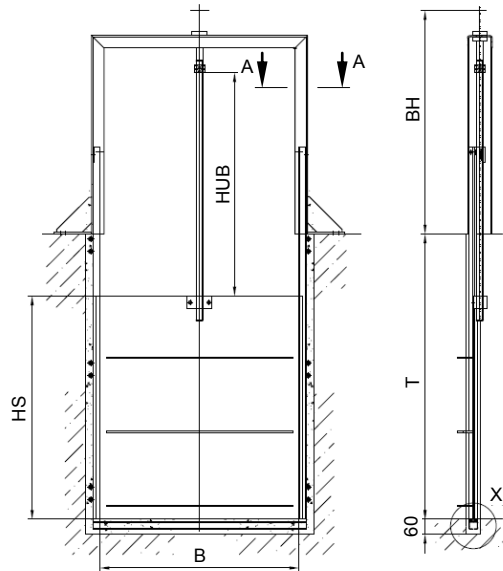


trapezoidal



triangular

ATEC CHANNEL PENSTOCK LTEC for grouting with straight sill
for grouting from 150x150 to 1200x1200*



Materials

Frame**	Door**	Seal**	Stem**	Connection Parts**
SS 316	SS 304	Chloroprene	SS 304	A4
SS 304	SS 316	Chloroprene	SS 316	A4

Example for placing an order *****

ATEC CHANNEL PENSTOCK LTEC for grouting with straight sill for grouting Prod. No.	01.11.10.20
ATEC CHANNEL PENSTOCK LTEC for grouting with round sill for grouting Prod. No.	01.11.20.20
ATEC CHANNEL PENSTOCK LTEC for grouting with trapezoidal sill for grouting Prod. No.	01.11.30.20
ATEC CHANNEL PENSTOCK LTEC for grouting with triangular sill for grouting Prod. No.	01.11.40.20
Designed to catalogue sheet	01.11.10.20

Materials***	Dimensions***
Frame:	B x HS: mm
Door:	Channel depth T****: mm
Seal: Chloroprene	Working pressure: mwc or bar
Connection parts: A4	Direction of pressure: V.. R..
	Travel HUB: mm
	Operation height BH: (900)mm
	Sill design***: R.. Y.. Z..

* Other dimensions on request.

** Other materials and/or combinations on request

*** Please specify with the enquiry/order.

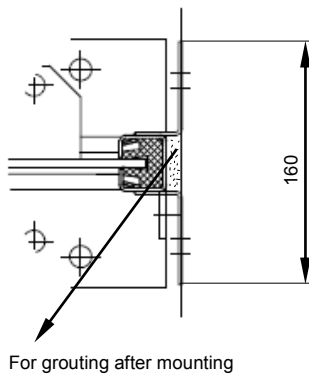
**** Dimension from penstock invert to upper edge of structure.

*****Detailed description see tender specification.

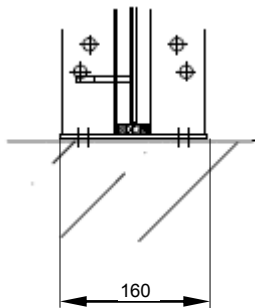
ATEC CHANNEL PENSTOCK LTEC 01.11.10.30

Details

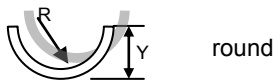
Section A-A



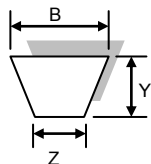
Detail X



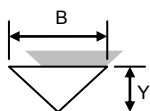
Special sills are designed for grouting.



round

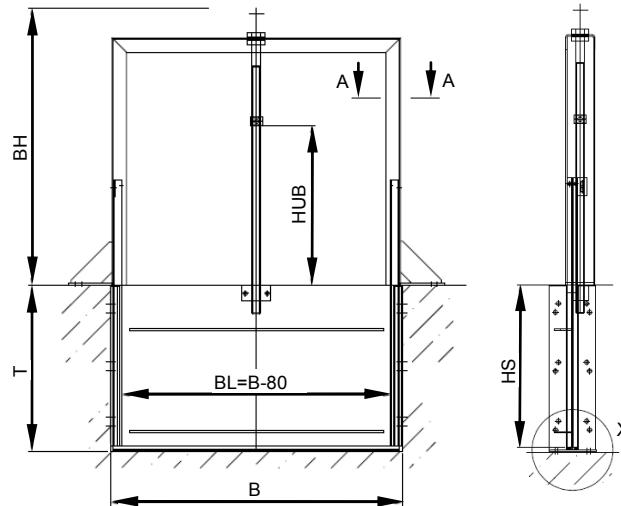


trapezoidal



triangular

ATEC CHANNEL PENSTOCK LTEC for anchor bolting in channel with straight sill for anchor bolting in channel from 150x150 to 1200x1200*



Materials

Example for placing an order *****

ATEC CHANNEL PENSTOCK LTEC for anchor bolting in channel with straight sill for grouting Prod. No.	01.11.20.30
ATEC CHANNEL PENSTOCK LTEC for anchor bolting in channel with round sill for grouting Prod. No.	01.11.20.31
ATEC CHANNEL PENSTOCK LTEC for anchor bolting in channel with trapezoidal sill for grouting Prod. No.	01.11.30.31
ATEC CHANNEL PENSTOCK LTEC for anchor bolting in channel with triangular sill for grouting Prod. No.	01.11.40.31
Designed to catalogue sheet	01.11.10.30

Materials***		Dimensions***	
Frame:		B x HS:	mm
Door:		Channel depth T****:	mm
Seal:	Chloroprene	Working pressure:	mwc or bar
Connection parts:	A4	Direction of pressure: V..	R..
		Travel HUB:	mm
		Operation height BH:	(900)mm
		Sill design*** :	R.. Y.. Z..

* Other dimensions on request.
** Other materials and/or combinations on request
*** Please specify with the enquiry/order.
**** Dimension from penstock invert to upper edge of structure.
*****Detailed description see tender specification.