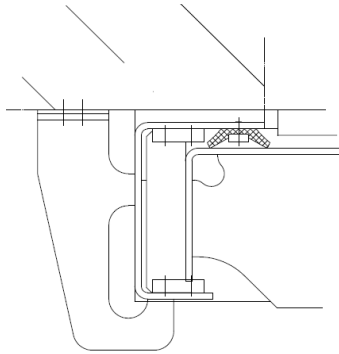


## ATEC STOPLOG DPTEC

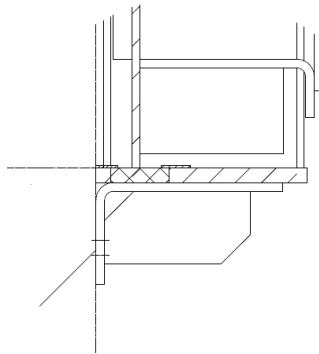
05.30.10.10

### Details

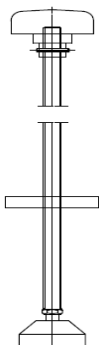
Section A-A



Detail X

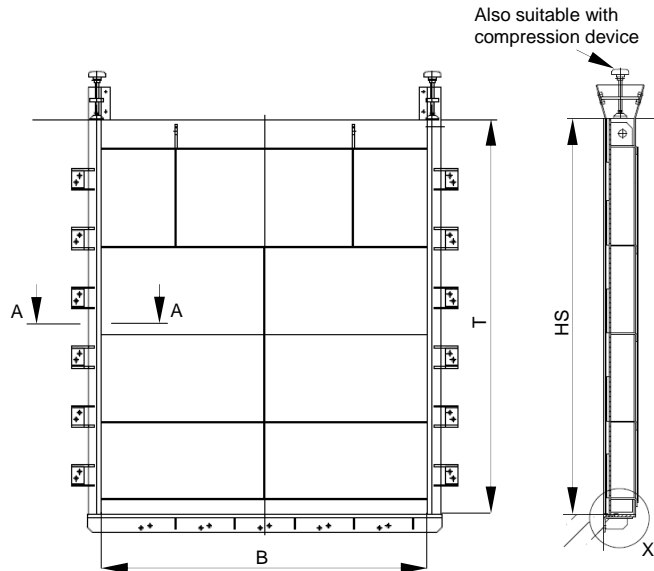


A Compression device \*\*\*\*\*  
Lifting beam \*\*\*\*\*



A

ATEC STOPLOG DPTEC with frame for anchor bolting  
from 200x200 to 3000x3000\*



### Materials

Frame**	Log**	Seal**	Slide skid**	Lifting rod**	Connection parts**
SS 316	SS 304	EPDM	POM	SS 304	A4
SS 304	SS 316	EPDM	POM	SS 316	A4

### Example for placing an order \*\*\*

ATEC STOPLOG DPTEC with frame for anchor bolting Prod.No.

05.30.10.10

Materials***		Dimensions***	
Frame:		B x HS :	mm
Log:		Installation depth T****:	mm
Seal:	EPDM	Direction of pressure:	V/R
Slide skid:.	POM		
Connection Parts :	A4		

\* Other sizes on request

\*\* Other materials and/or combinations on request.

\*\*\* Please specify with the inquiry/order

\*\*\*\* Dimensions from invert to upper edge of structure

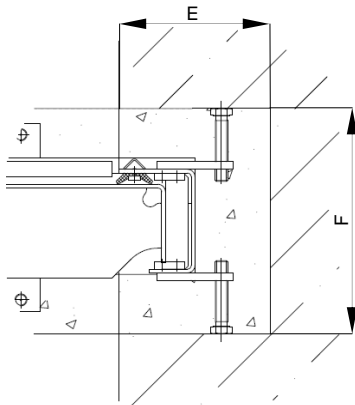
\*\*\*\*\* Also suitable on request

## ATEC STOPLOG DPTEC

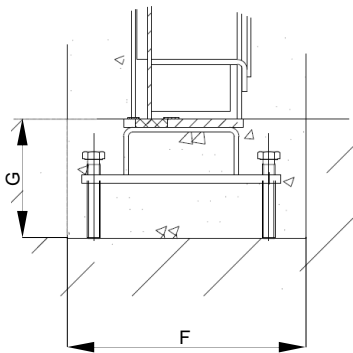
05.30.10.20

### Details

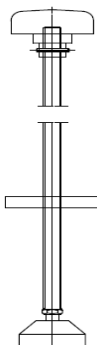
Section A-A



Detail X

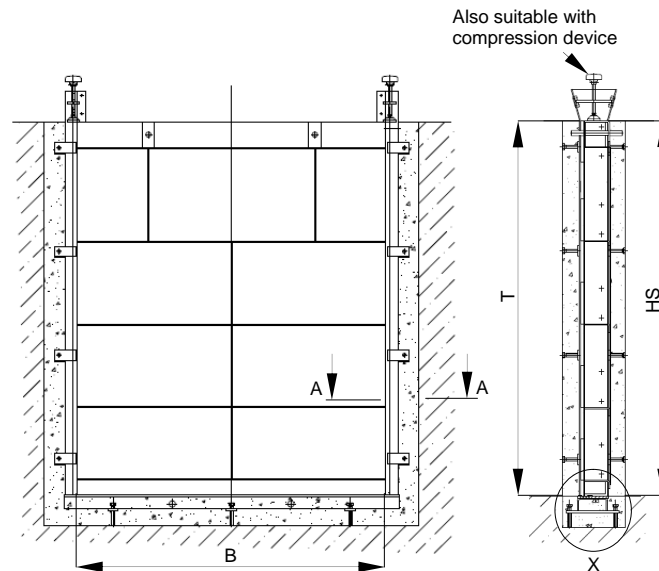


A Compression device\*\*\*\*\*  
Lifting beam \*\*\*\*\*



A

ATEC STOPLOG DPTEC with frame for grouting  
from 200x200 to 3000x3000\*



### Materials

Frame**	Log**	Seal**	Slide skid**	Lifting rod**	Connection parts**
SS 316	SS 304	EPDM	POM	SS 304	A4
SS 304	SS 316	EPDM	POM	SS 316	A4

### Example for placing an order \*\*\*

ATEC STOPLOG DPTEC with fram for grouting Prod.No.

05.30.10.20

Materials***	Dimensions***
Frame:	B x HS : mm
Log:	Installation depth T****: mm
Seal:	EPDM
Slide skid:.	POM
Connection Parts :	A4
	Direction of pressure: V/R
	Recess at Door-thickness 50mm: E: 120mm F: 200mm G: 100mm
	Recess at Door-thickness 100mm: E: 150mm F: 250mm G: 100mm
	Recess at Door-thickness 150mm: E: 200mm F: 300mm G: 100mm

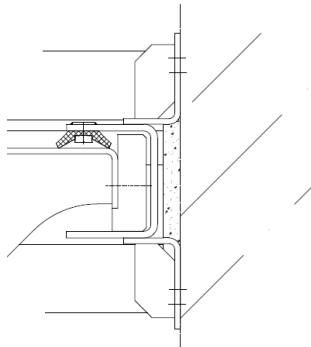
- \* Other sizes on request
- \*\* Other materials and/or combinations on request.
- \*\*\* Please specify with the inquiry/order
- \*\*\*\* Dimensions from invert to upper edge of structure
- \*\*\*\*\* Also suitable on request

## ATEC STOPLOG DPTEC

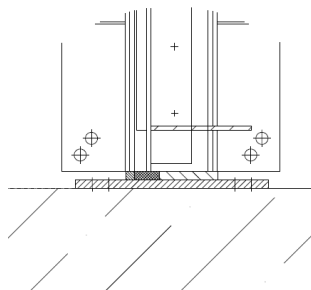
05.30.10.30

### Details

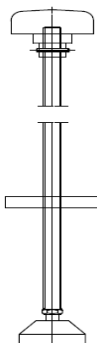
Section A-A



Detail X

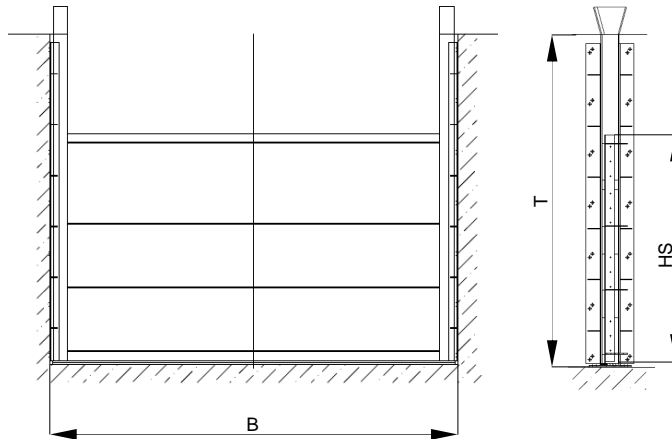


A Compression device \*\*\*\*\*  
Lifting beam \*\*\*\*\*



A

ATEC STOPLOG DPTEC with frame for anchor bolting in channel  
from 200x200 to 3000x3000\*



### Materials

Frame**	Log**	Seal**	Slide skid**	Lifting rod**	Connection parts**
SS 316	SS 304	EPDM	POM	SS 304	A4
SS 304	SS 316	EPDM	POM	SS 316	A4

### Example for placing an order \*\*\*

ATEC STOPLOG DPTEC with frame for anchor bolting in channel Prod.No. 05.30.10.30

Materials***	Dimensions***
Frame:	B x HS : mm
Log:	Installation depth T****: mm
Seal:	EPDM Direction of pressure: V/R
Slide skid:	POM
Connection Parts :	A4

- \* Other sizes on request
- \*\* Other materials and/or combinations on request.
- \*\*\* Please specify with the inquiry/order
- \*\*\*\* Dimensions from invert to upper edge of structure
- \*\*\*\*\* Also suitable on request