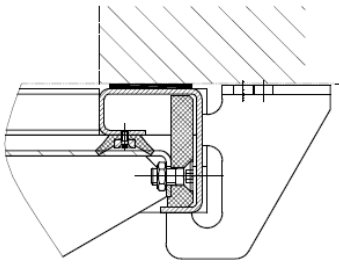


ATEC PENSTOCK MULTITEC

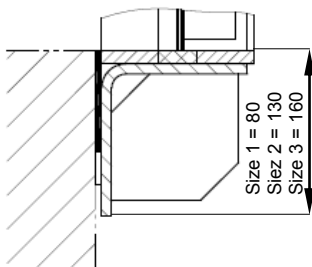
03.50.10.10

Details

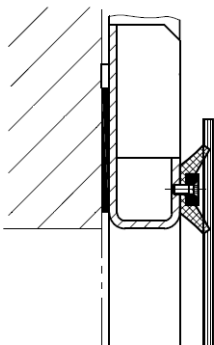
Section A-A



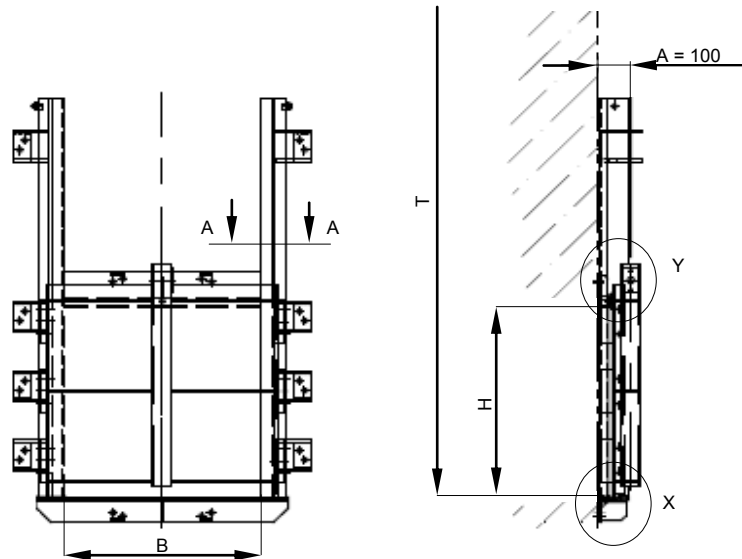
Detail X



Detail Y



ATEC PENSTOCK MULTITEC for anchor bolting with straight sill for anchor bolting up to the largest dimensions



Materials

Frame**	Door**	Seal**	Slide skids**	Stem**	Connection Parts**
SS 316	SS 304	Chloroprene	POM	SS 304	A4
SS 304	SS 316	Chloroprene	POM	SS 316	A4

Example for placing an order *****

ATEC PENSTOCK MULTITEC for anchor bolting with straight sill for anchor bolting

Prod. No. 03.50.10.10

Designed to catalogue sheet

03.50.10.10

Also suitable for round hopper, for flange connection PN 10 in accordance to DIN 2501 or with regulation cover***

Materials***	Dimensions***
Frame:	DN or BxH: mm
Door:	Channel depth T****: mm
Seal:	Chloroprene Working pressure: mwc or bar
Slide skids:	POM Direction of pressure: V.. R..
Connection parts:	A4 Travel HUB: mm
	Sill design***:

* Other dimensions on request.

** Other materials and/or combinations on request

*** Please specify with the enquiry/order.

**** Dimension from penstock invert to upper edge of structure.

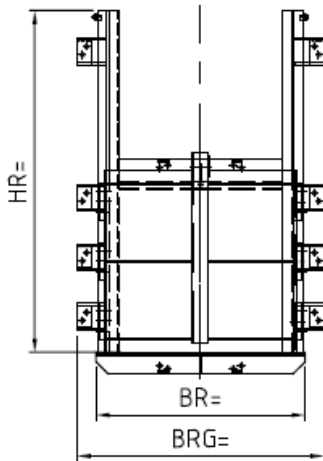
*****Detailed description see tender specification.

ATEC PENSTOCK MULTITEC

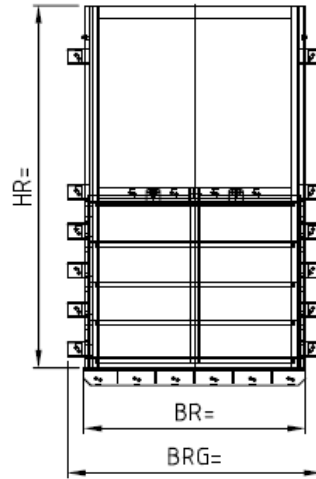
03.50.10.10

ATEC PENSTOCK MULTITEC for anchor bolting with straight sill for anchor bolting.

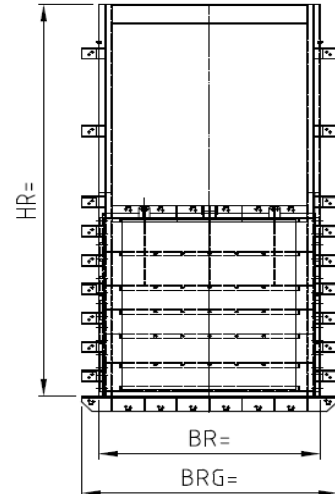
Size 1 DN 150-1200



Size 2 DN 700-2200 ⁴⁾



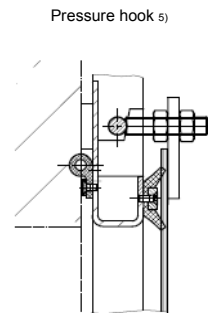
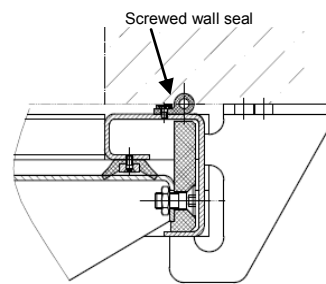
Size 3 DN 1500-3000 ⁴⁾



Dimension

Size 1 DN or BxH	Quantity of anchor bolts	HR	BR	BRG	Weight kg	Pressure ²⁾
150	4	450	310	530	17	0,6
200	6	550	360	580	20	0,6
250	6	650	410	630	23	0,6
300	8	750	460	680	30	0,6
350	8	850	510	730	36	0,6
400	10	950	560	780	45	0,6
450	10	1050	610	830	49	0,6
500	12	1150	660	880	55	0,6
600	12	1350	760	980	70	0,6
700	16	1550	860	1080	90	0,6
800	18	1750	960	1180	105	0,6
900	18	1950	1060	1280	120	0,6
1000	18	2150	1160	1380	150	0,6
1100	22	2350	1260	1480	180	0,6
1200	24	2550	1360	1580	210	0,6

Design at static head > 6mwc



Size 2 DN or BxH	Quantity of anchor bolts	HR	BR	BRG	Weight kg	Pressure ²⁾
700	16	1650	900	1150	100	0,8
800	18	1850	1000	1250	120	0,8
900	18	2050	1100	1350	170	0,8
1000	20	2250	1200	1450	200	0,8
1100	24	2450	1300	1550	210	0,8
1200	24	2650	1400	1650	230	0,8
1300	26	2850	1500	1750	250	0,6
1400	26	3050	1600	1850	260	0,6
1500	28	3250	1700	1950	280	0,6
1600	28	3450	1800	2050	320	0,6
1700	30	3650	1900	2150	360	0,6
1800	32	3850	2000	2250	400	0,6
1900	34	4050	2100	2350	440	0,4
2000	36	4250	2200	2450	460	0,4
2100	40	4450	2300	2550	480	0,4
2200	40	4650	2400	2650	500	0,4

Size 3 DN or BxH	Quantity of anchor bolts	HR	BR	BRG	Weight kg	Pressure ²⁾
1500	28	3410	1740	2020	400	0,6
1600	30	3610	1840	2120	420	0,6
1700	30	3810	1940	2220	440	0,6
1800	32	4010	2040	2320	460	0,6
1900	34	4210	2140	2420	480	0,4
2000	36	4410	2240	2520	500	0,4
2100	40	4610	2340	2620	600	0,4
2200	40	4810	2440	2720	640	0,4
2300	³⁾	5010	2540	2820	⁶⁾	
2400	³⁾	5210	2640	2920	⁶⁾	
2500	³⁾	5410	2740	3020	⁶⁾	
2600	³⁾	5610	2840	3120	⁶⁾	
2700	³⁾	5810	2940	3220	⁶⁾	
2800	³⁾	6010	3040	3320	⁶⁾	
2900	³⁾	6210	3140	3420	⁶⁾	
3000	³⁾	6410	3240	3520	⁶⁾	

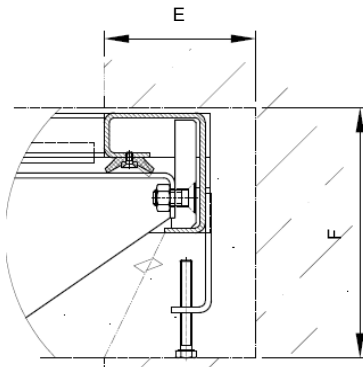
2) higher pressure on request
3) special mounting on request
4) design with 2 stems if > 2000 or on request
5) design with pressure hooks if > 1200 and size 2
6) for special mounting on request

ATEC PENSTOCK MULTITEC

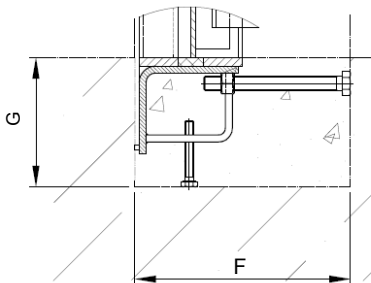
03.50.10.20

Details

Section A-A

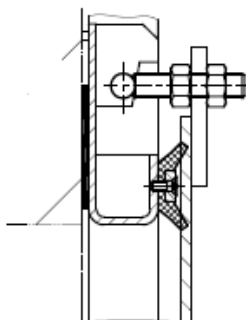


Detail X

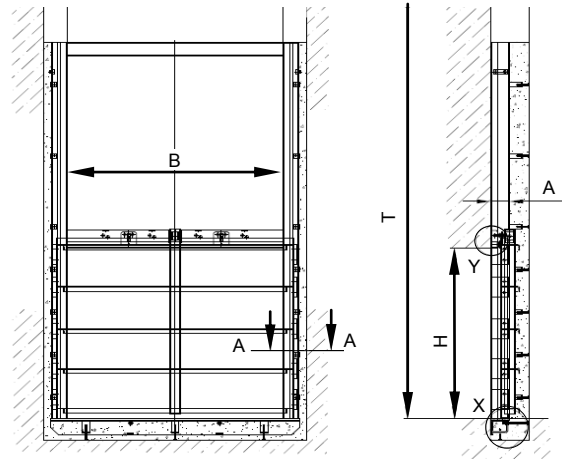


Size	E	F	G
1	150	150	120
2	150	200	150
3	200	250	200

Detail Y



ATEC PENSTOCK MULTITEC for grouting with straight sill for grouting from 150x150 to 3000x3000*



Materials

Frame**	Door**	Seal**	Slide skids**	Stem**	Connection Parts**
SS 316	SS 304	Chloroprene	POM	SS 304	A4
SS 304	SS 316	Chloroprene	POM	SS 316	A4

Example for placing an order

ATEC PENSTOCK MULTITEC with straight sill for grouting

Prod. No.

03.50.10.20

Designed to catalogue sheet

03.50.10.20

Also suitable for round hopper, for flange connection PN 10 in accordance to DIN 2501 or with regulation cover***

Materials***		Dimensions***	
Frame:		DN or BxH:	mm
Door:		Channel depth T****:	mm
Seal:	Chloroprene	Working pressure:	mwc or bar
Slide skids:	POM	Direction of pressure: V..	R..
Connection parts:	A4	Travel HUB:	mm

* Other dimensions on request.

** Other materials and/or combinations on request

*** Please specify with the enquiry/order.

**** Dimension from penstock invert to upper edge of structure.

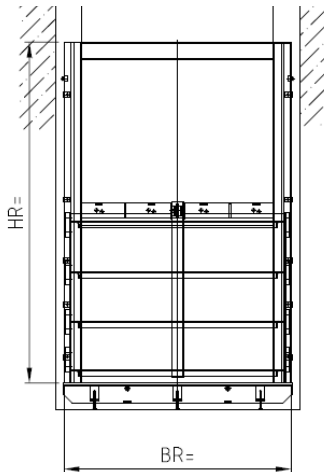
*****Detailed description see tender specification.

ATEC PENSTOCK MULTITEC

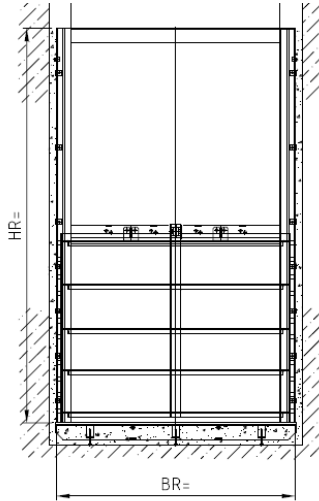
03.50.10.20

ATEC PENSTOCK MULTITEC for grouting with straight sill for grouting

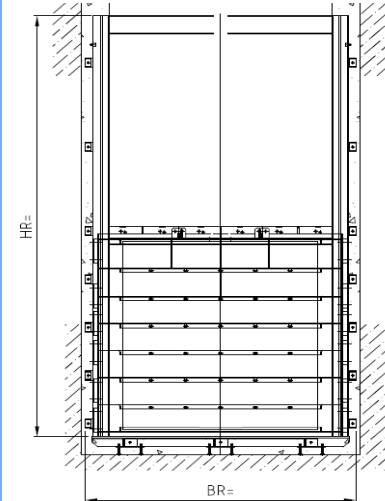
Size 1 DN 150-1200



Size 2 DN 700-2200 ⁴⁾



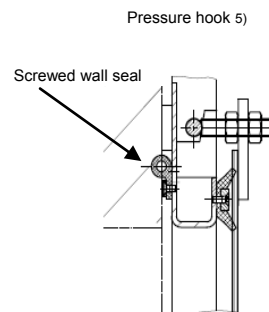
Size 3 DN 1500-3000 ⁴⁾



Dimensions

Size 1 DN or BxH	HR	BR	Weight	Pressure ²⁾
150	450	310	16	0,6
200	550	360	18	0,6
250	650	410	21	0,6
300	750	460	28	0,6
350	850	510	34	0,6
400	950	560	42	0,6
450	1050	610	46	0,6
500	1150	660	52	0,6
600	1350	760	66	0,6
700	1550	860	85	0,6
800	1750	960	100	0,6
900	1950	1060	115	0,6
1000	2150	1160	145	0,6
1100	2350	1260	185	0,6
1200	2550	1360	205	0,6

Design at static head > 6mwc



Size 2 DN or BxH	HR	BR	Weight	Pressure ²⁾
700	1650	900	95	0,8
800	1850	1000	115	0,8
900	2050	1100	165	0,8
1000	2250	1200	195	0,8
1100	2450	1300	205	0,8
1200	2650	1400	220	0,8
1300	2850	1500	240	0,6
1400	3050	1600	250	0,6
1500	3250	1700	270	0,6
1600	3450	1800	310	0,6
1700	3650	1900	350	0,6
1800	3850	2000	390	0,6
1900	4050	2100	450	0,6
2000	4250	2200	470	0,6
2100	4450	2300	500	0,6
2200	4650	2400	540	0,6

Size 3 DN or BxH	HR	BR	Weight	Pressure ²⁾
1500	3410	1740	410	0,8
1600	3610	1840	430	0,8
1700	3810	1940	450	0,8
1800	4010	2040	470	0,8
1900	4210	2140	500	0,8
2000	4410	2240	570	0,8
2100	4610	2340	630	0,8
2200	4810	2440	650	0,8
2300	5010	2540	³⁾	0,6
2400	5210	2640	³⁾	0,6
2500	5410	2740	³⁾	0,6
2600	5610	2840	³⁾	0,6
2700	5810	2940	³⁾	0,6
2800	6010	3040	³⁾	0,6
2900	6210	3140	³⁾	0,6
3000	6410	3240	³⁾	0,6

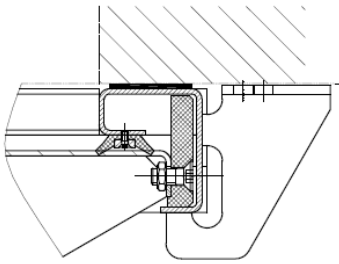
2) higher pressure on request
3) special mounting on request
4) design with 2 stems if > 2000 or on request
5) design with pressure hooks if > 1200 and size 2

ATEC PENSTOCK MULTITEC

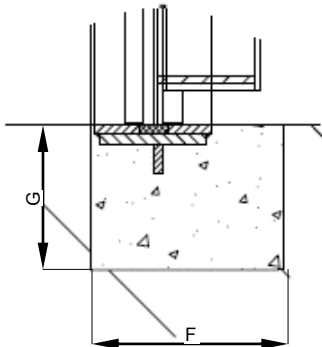
03.50.20.80

Details

Section A-A

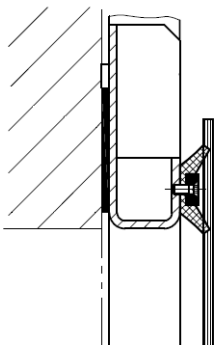


Detail X

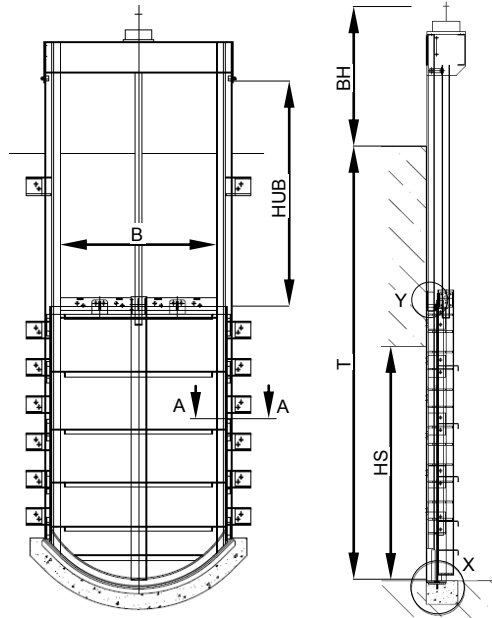


Size	G	F
1	120	150
2	150	200
3	200	250

Detail Y



ATEC PENSTOCK MULTITEC for anchor bolting with round sill for grouting up to the largest dimensions



Materials

Frame**	Door**	Seal**	Slide skids**	Stem**	Connection Parts**
SS 316	SS 304	Chloroprene	POM	SS 304	A4
SS 304	SS 316	Chloroprene	POM	SS 316	A4

Example for placing an order *****

ATEC PENSTOCK MULTITEC for anchor bolting with round sill for grouting

Prod. No.

03.50.20.80

Designed to catalogue sheet

03.50.20.80

Also suitable for round hopper, for flange connection PN 10 in accordance to DIN 2501 or with regulation cover***

Materials***	Dimensions***
Frame:	DN or BxH: mm
Door:	Channel depth T****: mm
Seal:	Chloroprene Working pressure: mwc or bar
Slide skids:	POM Direction of pressure: V.. R..
Connection parts:	A4 Travel HUB: mm
	Sill design***:

* Other dimensions on request.

** Other materials and/or combinations on request

*** Please specify with the enquiry/order.

**** Dimension from penstock invert to upper edge of structure.

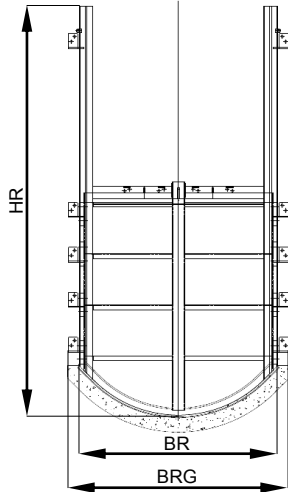
*****Detailed description see tender specification.

ATEC PENSTOCK MULTITEC

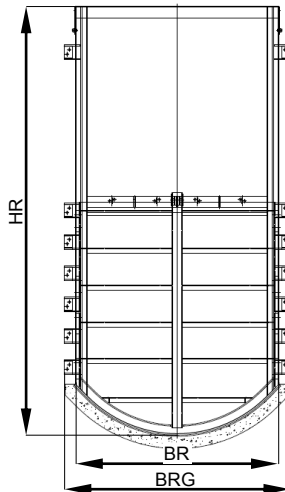
03.50.20.80

ATEC PENSTOCK MULTITEC for anchor bolting with round sill for grouting.

Size 1 DN 150-1200



Size2 DN 700-2200 4)

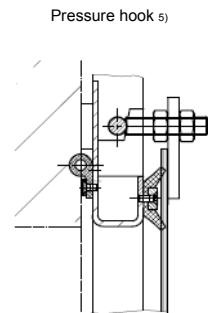
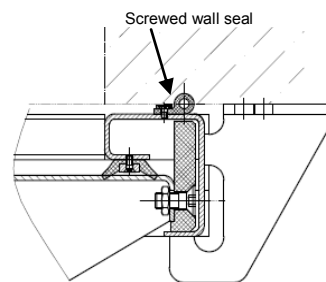


Size 3 DN 1500-3000 4)

Dimensions

Size 1 DN or BxH	Quantity of anchor bolts	HR	BR	BRG	Weight kg	Pressure ²⁾
150	4	450	310	530	17	0,6
200	6	550	360	580	20	0,6
250	6	650	410	630	23	0,6
300	8	750	460	680	30	0,6
350	8	850	510	730	36	0,6
400	10	950	560	780	45	0,6
450	10	1050	610	830	49	0,6
500	12	1150	660	880	55	0,6
600	12	1350	760	980	70	0,6
700	16	1550	860	1080	90	0,6
800	18	1750	960	1180	105	0,6
900	18	1950	1060	1280	120	0,6
1000	18	2150	1160	1380	150	0,6
1100	22	2350	1260	1480	180	0,6
1200	24	2550	1360	1580	210	0,6

Design at static head > 6mwc



Size 2 DN or BxH	Quantity of anchor bolts	HR	BR	BRG	Weight kg	Pressure ²⁾
700	16	1650	900	1150	100	0,8
800	18	1850	1000	1250	120	0,8
900	18	2050	1100	1350	170	0,8
1000	20	2250	1200	1450	200	0,8
1100	24	2450	1300	1550	210	0,8
1200	24	2650	1400	1650	230	0,8
1300	26	2850	1500	1750	250	0,6
1400	26	3050	1600	1850	260	0,6
1500	28	3250	1700	1950	280	0,6
1600	28	3450	1800	2050	320	0,6
1700	30	3650	1900	2150	360	0,6
1800	32	3850	2000	2250	400	0,6
1900	34	4050	2100	2350	440	0,4
2000	36	4250	2200	2450	460	0,4
2100	40	4450	2300	2550	480	0,4
2200	40	4650	2400	2650	500	0,4

Size 3 DN or BxH	Quantity of anchor bolts	HR	BR	BRG	Weight kg	Pressure ²⁾
1500	28	3410	1740	2020	400	0,6
1600	30	3610	1840	2120	420	0,6
1700	30	3810	1940	2220	440	0,6
1800	32	4010	2040	2320	460	0,6
1900	34	4210	2140	2420	480	0,4
2000	36	4410	2240	2520	500	0,4
2100	40	4610	2340	2620	600	0,4
2200	40	4810	2440	2720	640	0,4
2300	³⁾	5010	2540	2820	⁶⁾	
2400	³⁾	5210	2640	2920	⁶⁾	
2500	³⁾	5410	2740	3020	⁶⁾	
2600	³⁾	5610	2840	3120	⁶⁾	
2700	³⁾	5810	2940	3220	⁶⁾	
2800	³⁾	6010	3040	3320	⁶⁾	
2900	³⁾	6210	3140	3420	⁶⁾	
3000	³⁾	6410	3240	3520	⁶⁾	

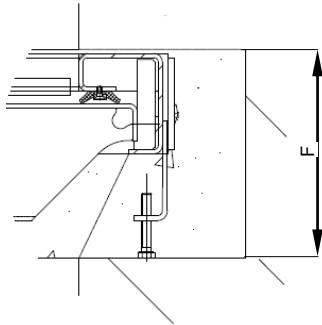
2) higher pressure on request
3) special mounting on request
4) design with 2 stem if > 2000 or on request
5) design with pressure hooks if > 1200 and size 2
6) for special mounting on request

ATEC PENSTOCK MULTITEC

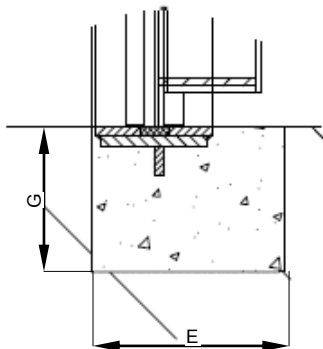
03.50.20.20

Details

Section A-A

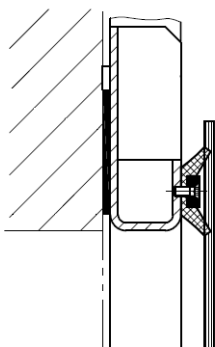


Detail X

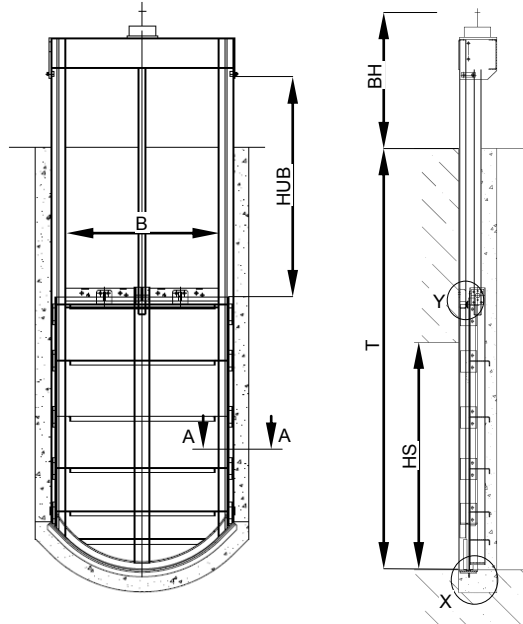


Size	G	E	F
1	120	150	150
2	150	150	200
3	200	200	250

Detail Y



ATEC PEMSTOCK MULTITEC for grouting with round sill for grouting up to the largest dimensions



Materials

Example for placing an order *****

ATEC PENSTOCK MULTITEC for grouting with round sill for grouting

Prod. No.

03.50.20.20

Designed to catalogue sheet

03.50.20.20

Also suitable for round hopper, for flange connection PN 10 in accordance to DIN 2501 or with regulation cover*

Materials***		Dimensions***	
Frame:		DN or BxH:	mm
Door:		Channel depth T****:	mm
Seal:	Chloroprene	Working pressure:	mwc or bar
Slide skids:	POM	Direction of pressure: V..	R..
Connection parts:	A4	Travel HUB:	mm
		Sill design***:	

* Other dimensions on request.

** Other materials and/or combinations on request

*** Please specify with the enquiry/order.

**** Dimension from penstock invert to upper edge of structure.

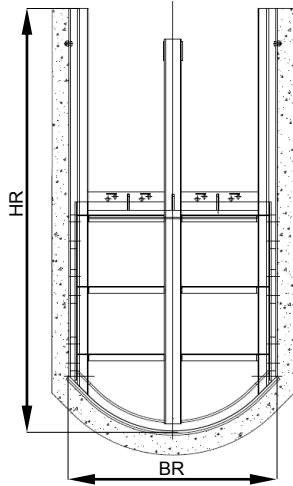
*****Detailed description see tender specification.

ATEC PENSTOCK MULTITEC

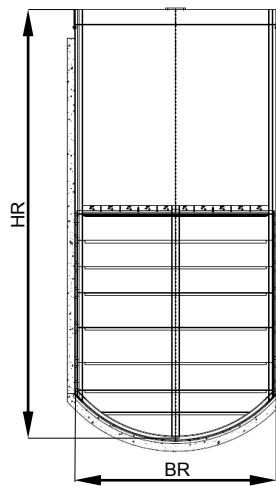
03.50.20.20

ATEC PENSTOCK MULTITEC for grouting with round sill for grouting.

Size 1 DN 150-1200



Size 2 DN 700-2200 ⁴⁾

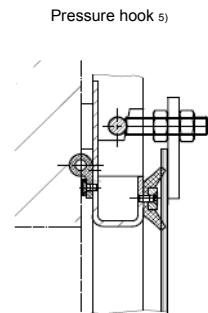
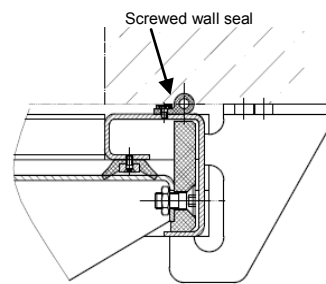


Size 3 DN 1500-3000 ⁴⁾

Dimensions

Size 1 DN or BxH	Quantity of anchor bolts	HR	BR	BRG	Weight kg	Pressure ²⁾
150	0	450	310	530	17	0,6
200	0	550	360	580	20	0,6
250	1	650	410	630	23	0,6
300	1	750	460	680	30	0,6
350	2	850	510	730	36	0,6
400	2	950	560	780	45	0,6
450	2	1050	610	830	49	0,6
500	2	1150	660	880	55	0,6
600	2	1350	760	980	70	0,6
700	2	1550	860	1080	90	0,6
800	2	1750	960	1180	105	0,6
900	2	1950	1060	1280	120	0,6
1000	3	2150	1160	1380	150	0,6
1100	3	2350	1260	1480	180	0,6
1200	3	2550	1360	1580	210	0,6

Design at static head > 6mwc



Size 2 DN or BxH	Quantity of anchor bolts	HR	BR	BRG	Weight kg	Pressure ²⁾
700	2	1650	900	1150	100	0,8
800	2	1850	1000	1250	120	0,8
900	2	2050	1100	1350	170	0,8
1000	3	2250	1200	1450	200	0,8
1100	3	2450	1300	1550	210	0,8
1200	3	2650	1400	1650	230	0,8
1300	3	2850	1500	1750	250	0,6
1400	4	3050	1600	1850	260	0,6
1500	4	3250	1700	1950	280	0,6
1600	4	3450	1800	2050	320	0,6
1700	4	3650	1900	2150	360	0,6
1800	4	3850	2000	2250	400	0,6
1900	5	4050	2100	2350	440	0,4
2000	5	4250	2200	2450	460	0,4
2100	5	4450	2300	2550	480	0,4
2200	5	4650	2400	2650	500	0,4

Size 3 DN or BxH	Quantity of anchor bolts	HR	BR	BRG	Weight kg	Pressure ²⁾
1500	4	3410	1740	2020	400	0,6
1600	4	3610	1840	2120	420	0,6
1700	4	3810	1940	2220	440	0,6
1800	4	4010	2040	2320	460	0,6
1900	5	4210	2140	2420	480	0,4
2000	5	4410	2240	2520	500	0,4
2100	5	4610	2340	2620	600	0,4
2200	5	4810	2440	2720	640	0,4
2300	³⁾	5010	2540	2820	⁶⁾	
2400	³⁾	5210	2640	2920	⁶⁾	
2500	³⁾	5410	2740	3020	⁶⁾	
2600	³⁾	5610	2840	3120	⁶⁾	
2700	³⁾	5810	2940	3220	⁶⁾	
2800	³⁾	6010	3040	3320	⁶⁾	
2900	³⁾	6210	3140	3420	⁶⁾	
3000	³⁾	6410	3240	3520	⁶⁾	

2) higher pressure on request
3) special mounting on request
4) design with 2 stem if > 2000 or on request
5) design with pressure hooks if > 1200 and size 2
6) for special mounting on request