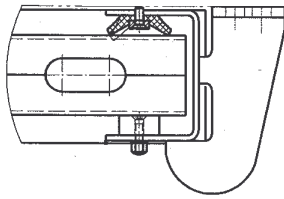


## ATEC STOPLOG DBTEC

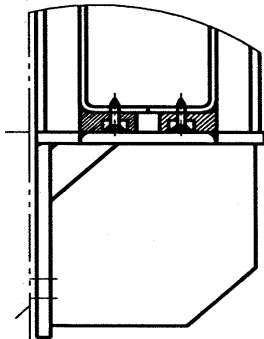
05.10.10.10

### Details

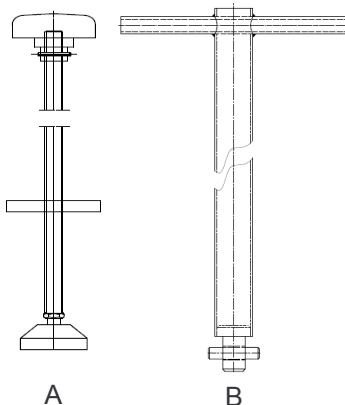
Section A-A



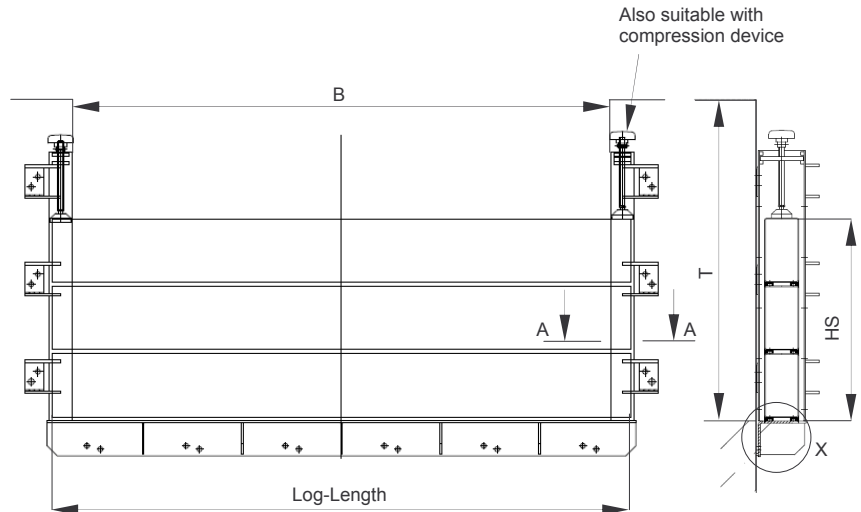
Detail X



- A Compression device \*\*\*\*\*  
B Manual lifting rod \*\*\*\*\*



ATEC STOPLOG DBTEC with frame for anchor bolting  
from 200x200 to 3000x3000\*



### Materials

Frame**	Log**	Seal**	Slide skid**	Lifting rod**	Connection parts**
SS 316	SS 304 EN AW-6063 T-66	EPDM	POM	SS 304	A4
SS 304	SS 316 EN AW-6063 T-66	EPDM	POM	SS 316	A4

### Example for placing an order \*\*\*

ATEC STOPLOG DBTEC with frame for anchor bolting Prod.No.

05.10.10.10

Materials***		Dimensions***	
Frame:		B x HS :	mm
Log:		Installation depth T***:	mm
Seal:	EPDM	Direction of pressure:	V/R
Slide skid:	POM		
Connection parts :	A4		
Al-Log-Profile	50 x 300	SS-Log-Profile	50 x *****
Al-Log-Profile	100 x 150	SS-Log-Profile	100 x *****
Al-Log-Profile	150 x 225	SS-Log-Profile	150 x *****

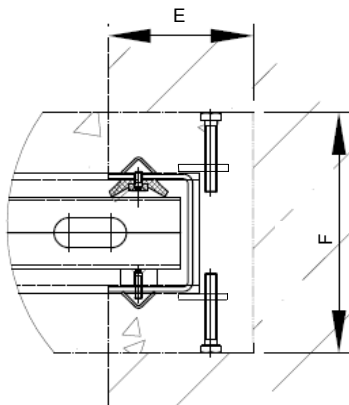
- \* Other sizes on request  
\*\* Other materials and/or combinations on request.  
\*\*\* Please specify with the inquiry/order  
\*\*\*\* Dimensions from invert to upper edge of structure  
\*\*\*\*\* Also suitable on request  
\*\*\*\*\* Height depending on tender specifications.

## ATEC STOPLOG DBTEC

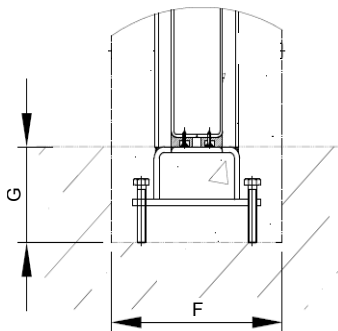
**05.10.10.20**

### Details

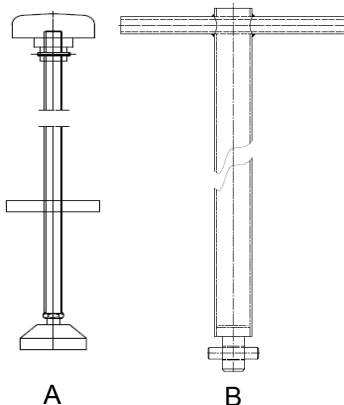
Section A-A



Detail X

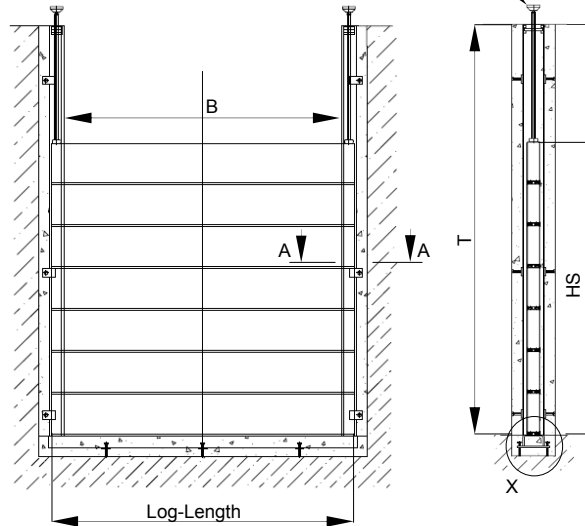


- A Compression device \*\*\*\*\*  
B Manual lifting rod \*\*\*\*\*



ATEC STOPLOG DBTEC with frame for grouting  
from 200x200 to 3000x3000\*

Also suitable with  
compression device



### Materials

Frame**	Log**	Seal**	Slide skid**	Lifting rod**	Connection parts**
SS 316	SS 304 EN AW-6063 T-66	EPDM	POM	SS 304	A4
SS 304	SS 316 EN AW-6063 T-66	EPDM	POM	SS 316	A4

### Example for placing an order \*\*\*

ATEC STOPLOG DBTEC with frame for grouting Prod.No.

05.10.10.20

Materials***		Dimensions***	
Frame:		B x HS :	mm
Log:		Installation depth T***:	mm
Seal:	EPDM	Direction of pressure:	V/R
Slide skid:	POM	Recess at Log-Thickness 50mm: E: 120mm F: 200mm G: 100mm	
Connection parts :	A4	Recess at Log-Thickness 100mm: E: 150mm F: 250mm G: 100mm	
		Recess at Log-Thickness 150mm: E: 200mm F: 300mm G: 100mm	
Al-Log-Profile	50 x 300	SS-Log-Profile	50 x *****
Al-Log-Profile	100 x 150	SS-Log-Profile	100 x *****
Al-Log-Profile	150 x 225	SS-Log-Profile	150 x *****

\* Other sizes on request

\*\* Other materials and/or combinations on request.

\*\*\* Please specify with the inquiry/order

\*\*\*\* Dimensions from invert to upper edge of structure

\*\*\*\*\* Also suitable on request

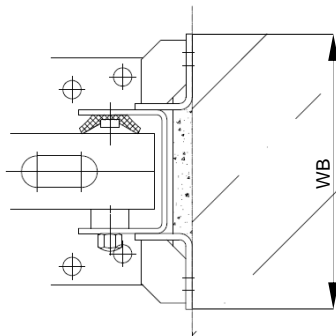
\*\*\*\*\* Height depending on tender specifications.

## ATEC STOPLOG DBTEC

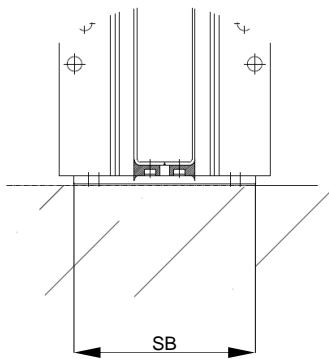
05.10.10.30

### Details

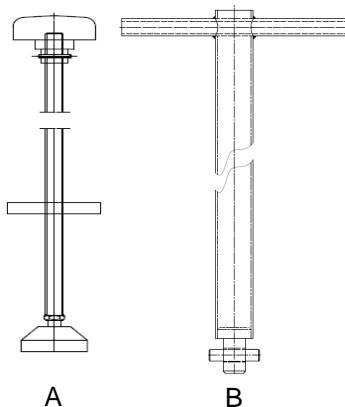
Section A-A



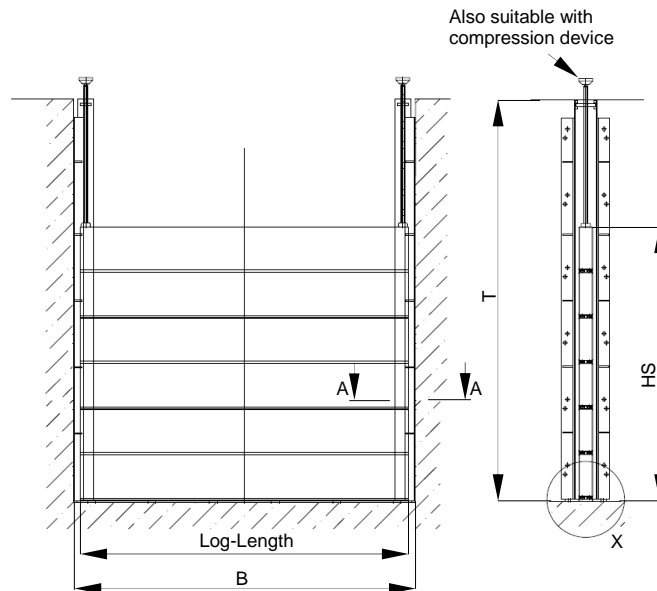
Detail X



- A Compression device \*\*\*\*\*
- B Manual lifting rod \*\*\*\*\*



ATEC STOPLOG DBTEC with frame for anchor bolting in channel  
from 200x200 to 3000x3000\*



### Materials

Frame**	Log**	Seal**	Slide skid**	Lifting rod**	Connection parts**
SS 316	SS 304 EN AW-6063 T-66	EPDM	POM	SS 304	A4
SS 304	SS 316 EN AW-6063 T-66	EPDM	POM	SS 316	A4

### Example for placing an order \*\*\*

ATEC STOPLOG DBTEC with frame for anchor bolting in channel Prod.No. 05.10.10.30

Materials***		Dimensions***	
Frame:		B x HS :	mm
Log:		Installation depth T***:	mm
Seal:	EPDM	Direction of pressure:	V/R
Slide skid:	POM	Log-Thickness 50mm:	WB: 208mm SB: 180mm
Connection parts :	A4	Log-Thickness 100mm:	WB: 258mm SB: 220mm
		Log-Thickness 150mm:	WB: 308mm SB: 270mm
Al-Log-Profile	50 x 300	SS-Log-Profile	50 x *****
Al-Log-Profile	100 x 150	SS-Log-Profile	100 x *****
Al-Log-Profile	150 x 225	SS-Log-Profile	150 x *****

- \* Other sizes on request
- \*\* Other materials and/or combinations on request.
- \*\*\* Please specify with the inquiry/order
- \*\*\*\* Dimensions from invert to upper edge of structure
- \*\*\*\*\* Also suitable on request
- \*\*\*\*\* Height depending on tender specifications.