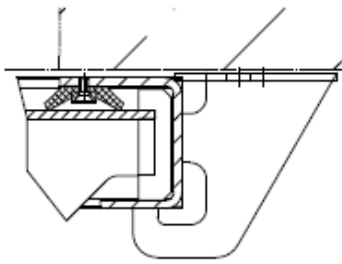


ATEC PENSTOCK UNITEC

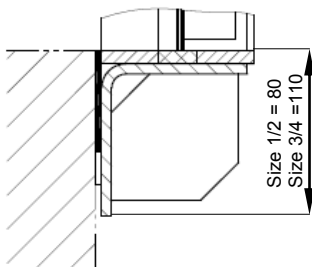
03.40.10.10

Details

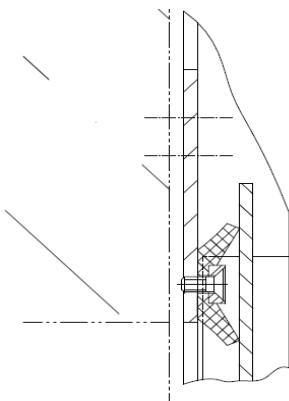
Section A-A



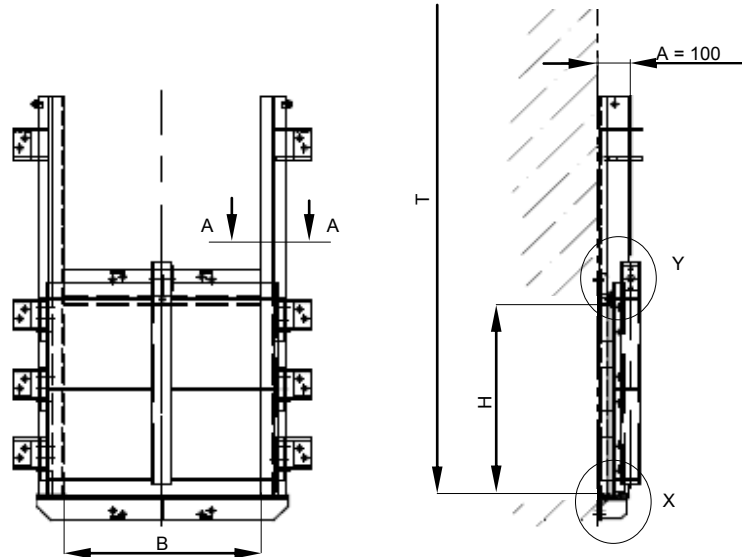
Detail X



Detail Y



ATEC PENSTOCK UNITEC for anchor bolting with straight sill
for anchor bolting from 150x150 to 2000x2000*



Materials

Frame**	Door**	Seal**	Slide skids**	Stem**	Connection Parts**
SS 316	SS 304	Chloroprene	POM	SS 304	A4
SS 304	SS 316	Chloroprene	POM	SS 316	A4

Example for placing an order *****

ATEC PENSTOCK UNITEC for anchor bolting with straight sill for anchor bolting
Prod. No. 03.40.10.10
ATEC PENSTOCK UNITEC for anchor bolting with straight sill for grouting
Prod. No. 03.40.10.80
Designed to catalogue sheet 03.40.10.10
Also suitable for round hopper, for flange connection PN 10 in accordance
to DIN 2501 or with regulation cover***

Materials***		Dimensions***	
Frame:		DN or BxH:	mm
Door:		Channel depth T****:	mm
Seal:	Chloroprene	Working pressure:	mwc or bar
Slide skids:	POM	Direction of pressure: V..	R..
Connection parts:	A4	Travel HUB:	mm
		Sill design***:	

* Other dimensions on request.

** Other materials and/or combinations on request

*** Please specify with the enquiry/order.

**** Dimension from penstock invert to upper edge of structure.

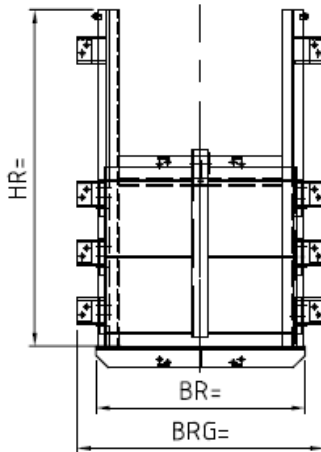
*****Detailed description see tender specification.

ATEC PENSTOCK UNITEC

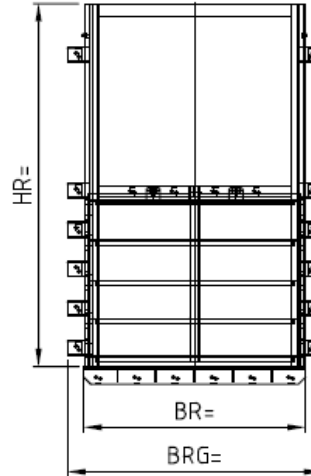
03.40.10.10

ATEC PENSTOCK UNITEC for anchor bolting with straight sill for anchor bolting

DN 150-1200



DN 1300-2000



Dimensions

Size 1 DN or BxH	Quantity of anchor bolts	HR	BR	BRG	Weight kg	Pressure ²⁾
150	3	350	270	440	15	0,6
200	3	450	320	490	18	0,6
250	5	550	370	540	21	0,6
300	7	650	420	590	27	0,6
350	10	750	470	640	32	0,6
400	10	850	520	690	40	0,6
450	12	950	570	740	44	0,6
500	12	1050	620	790	50	0,6
600	12	1250	720	890	63	0,6
Size 2 DN or BxH	Quantity of anchor bolts	HR	BR	BRG	Weight kg	Pressure ²⁾
700	17	1465	850	1040	81	0,6
800	19	1665	950	1140	95	0,6
900	19	1865	1050	1240	108	0,6
1000	20	2065	1150	1340	135	0,6
1100	20	2265	1250	1440	162	0,6
1200	22	2465	1350	1540	189	0,6
Size 3 DN or BxH	Quantity of anchor bolts	HR	BR	BRG	Weight kg	Pressure ²⁾
1300	24	2775	1480	1700	270	0,6
1400	26	3925	1580	1800	295	0,6
1500	26	3125	1680	1900	340	0,6
1600	28	3325	1780	2000	375	0,6
Size 4 DN or BxH	Quantity of anchor bolts	HR	BR	BRG	Weight kg	Pressure ²⁾
1700	28	3525	1900	2170	475	0,6
1800	28	3725	2000	2270	510	0,6
1900	34	3925	2100	2370	560	0,6
2000	34	4125	2200	2470	600	0,6

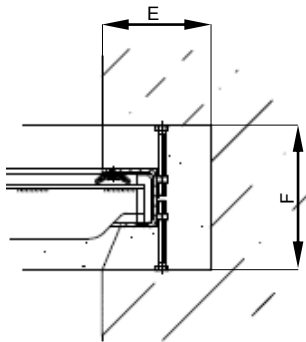
2) higher pressures on request

ATEC PENSTOCK UNITEC

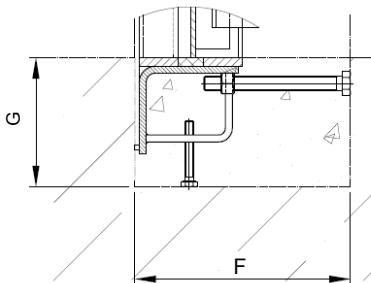
03.40.10.20

Details

Section A-A

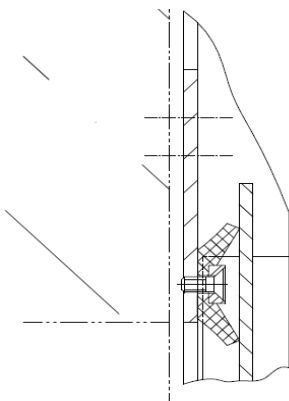


Detail Y

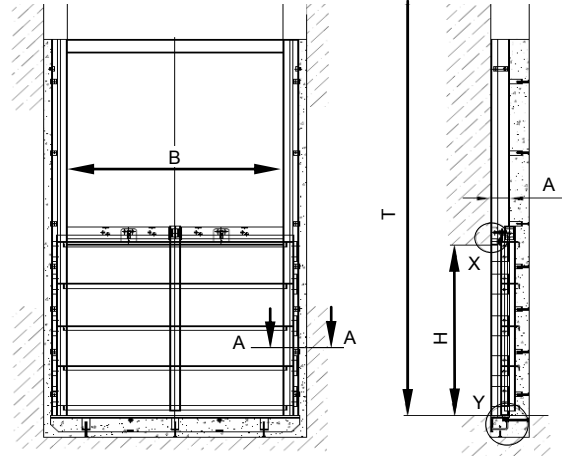


Size	E	F	G
1	150	150	120
2	150	200	150
3	200	250	200
4	200	250	200

Detail X



ATEC PENSTOCK UNITEC for grouting with straight sill
for grouting from 150x150 to 2000x2000*



Materials

Frame**	Door**	Seal**	Slide skirts**	Stem**	Connection Parts**
SS 316	SS 304	Chloroprene	POM	SS 304	A4
SS 304	SS 316	Chloroprene	POM	SS 316	A4

Example for placing an order

ATEC PENSTOCK UNITEC for grouting with straight sill for grouting

Prod. No.

03.40.10.20

Designed to catalogue sheet

03.40.10.20

Also suitable for round hopper, for flange connection PN 10 in accordance to DIN 2501 or with regulation cover***

Materials***		Dimensions***	
Frame:		DN or BxH:	mm
Door:		Channel depth T****:	mm
Seal:	Chloroprene	Working pressure:	mwc or bar
Slide skirts:	POM	Direction of pressure: V..	R..
Connection parts:	A4	Travel HUB:	mm

* Other dimensions on request.

** Other materials and/or combinations on request

*** Please specify with the enquiry/order.

**** Dimension from penstock invert to upper edge of structure.

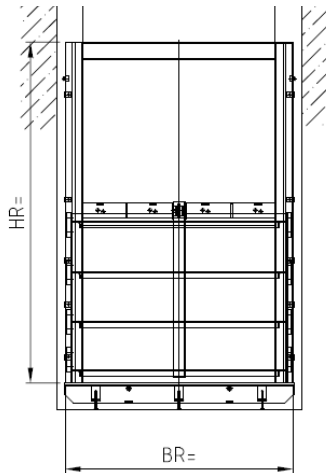
*****Detailed description see tender specification.

ATEC PENSTOCK UNITEC

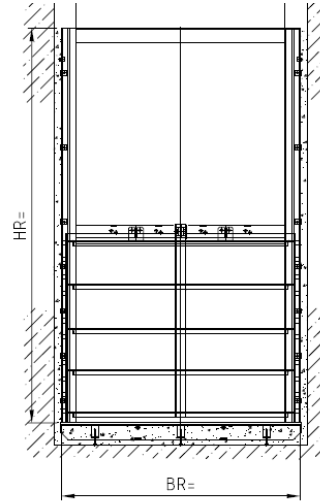
03.40.10.20

ATEC PENSTOCK UNITEC for grouting with straight sill for grouting

DN 150-1200



DN 1300-2000



Dimensions

Size 1 DN or BxH	Quantity of anchor bolts	HR	BR	Weight kg	Pressure
150	0	350	270	15	0,6
200	0	450	320	18	0,6
250	0	550	370	21	0,6
300	2	650	420	27	0,6
350	4	750	470	32	0,6
400	4	850	520	40	0,6
450	4	950	570	44	0,6
500	4	1050	620	50	0,6
600	4	1250	720	63	0,6
Size 2 DN or BxH	Quantity of anchor bolts	HR	BR	Weight kg	Pressure
700	6	1465	850	81	0,6
800	6	1665	950	95	0,6
900	6	1865	1050	108	0,6
1000	6	2065	1150	135	0,6
1100	6	2265	1250	162	0,6
1200	7	2465	1350	189	0,6
Size 3 DN or BxH	Quantity of anchor bolts	HR	BR	Weight kg	Pressure
1300	8	2775	1480	270	0,6
1400	8	3925	1580	295	0,6
1500	8	3125	1680	340	0,6
1600	8	3325	1780	375	0,6
Size 4 DN or BxH	Quantity of anchor bolts	HR	BR	Weight kg	Pressure
1700	8	3525	1900	475	0,6
1800	8	3725	2000	510	0,6
1900	10	3925	2100	560	0,6
2000	10	4125	2200	600	0,6

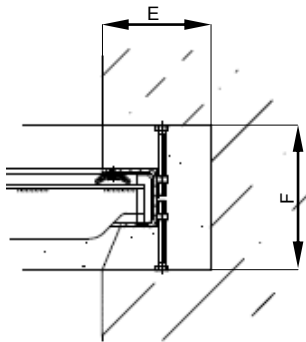
2) higher pressures on request

ATEC PENSTOCK UNITEC

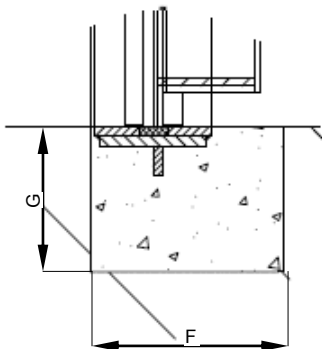
03.40.20.20

Details

Section A-A

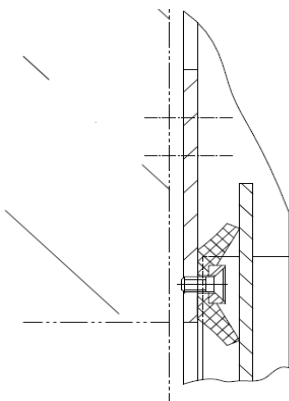


Detail X

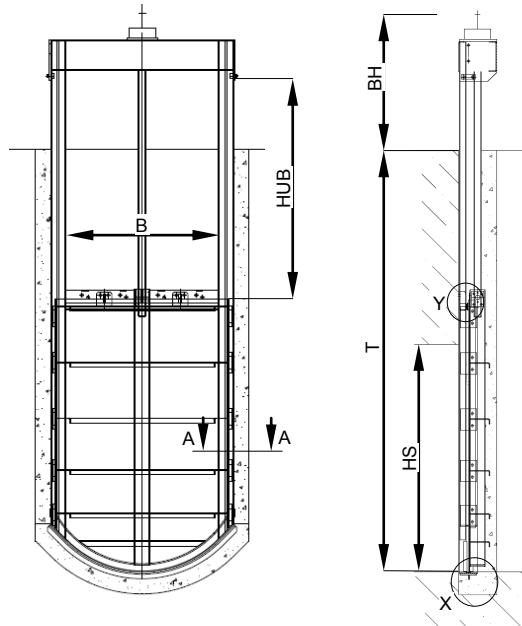


Size	G	E	F
1	120	150	150
2	150	150	200
3	200	200	250
4	200	200	250

Detail Y



ATEC PENSTOCK UNITEC for grouting with round sill for grouting from 150x150 to 2000x2000*



Materials

Example for placing an order *****

ATEC PENSTOCK UNITEC for grouting with straight sill for grouting

Prod. No.

03.40.20.20

Designed to catalogue sheet

03.40.20.20

Also suitable for round hopper, for flange connection PN 10 in accordance to DIN 2501 or with regulation cover***

Materials***		Dimensions***	
Frame:		DN or BxH:	mm
Door:		Channel depth T****:	mm
Seal:	Chloroprene	Working pressure:	mwc or bar
Slide skids:	POM	Direction of pressure: V..	R..
Connection parts:	A4	Travel HUB:	mm
		Sill design***:	

* Other dimensions on request.

** Other materials and/or combinations on request

*** Please specify with the enquiry/order.

**** Dimension from penstock invert to upper edge of structure.

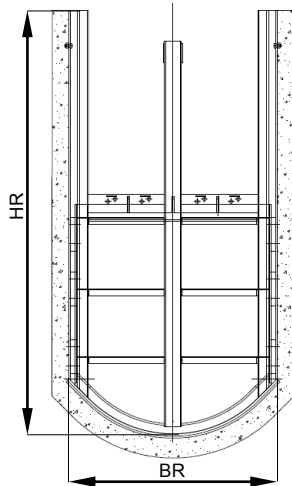
*****Detailed description see tender specification.

ATEC PENSTOCK UNITEC

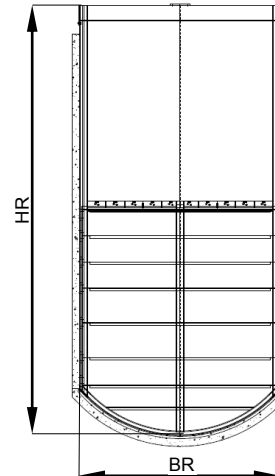
03.40.20.20

ATEC PENSTOCK UNITEC for grouting with round sill for grouting.

DN 150-1200



DN 1300-2000



Dimensions

Size 1 DN or BxH	Quantity of anchor bolts	HR	BR	BRG	Weight kg	Pressure ²⁾
150	0	400	270	440	18	0,6
200	0	500	320	490	22	0,6
250	0	610	370	540	25	0,6
300	2	750	420	590	35	0,6
350	4	850	470	640	40	0,6
400	4	950	520	690	50	0,6
450	4	1050	570	740	55	0,6
500	4	1200	620	790	60	0,6
600	4	1380	720	890	70	0,6
Size 2 DN or BxH	Quantity of anchor bolts	HR	BR	BRG	Weight kg	Pressure ²⁾
700	6	1610	850	1040	90	0,6
800	6	1850	950	1140	105	0,6
900	6	2070	1050	1240	120	0,6
1000	6	2270	1150	1340	150	0,6
1100	6	2530	1250	1440	170	0,6
1200	7	2760	1350	1540	210	0,6
Size 3 DN or BxH	Quantity of anchor bolts	HR	BR	BRG	Weight kg	Pressure ²⁾
1300	8	2950	1480	1700	295	0,6
1400	8	3250	1580	1800	320	0,6
1500	8	3450	1680	1900	360	0,6
1600	8	3650	1780	2000	400	0,6
Size 4 DN or BxH	Quantity of anchor bolts	HR	BR	BRG	Weight kg	Pressure ²⁾
1700	8	3900	1900	2170	515	0,6
1800	8	4100	2000	2270	550	0,6
1900	10	4350	2100	2370	590	0,6
2000	10	4550	2200	2470	630	0,6

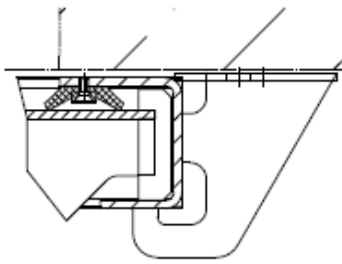
2) higher pressure on request

ATEC PENSTOCK UNITEC

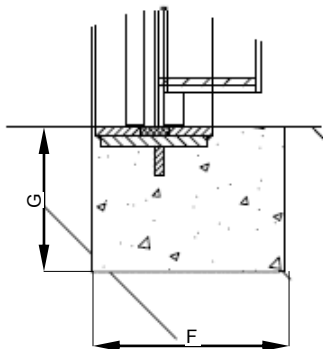
03.40.20.80

Details

Section A-A

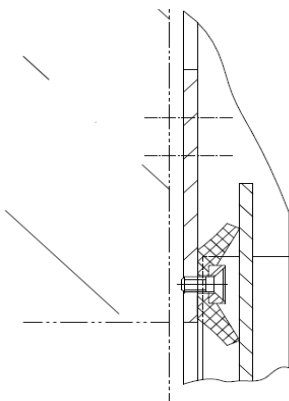


Detail X

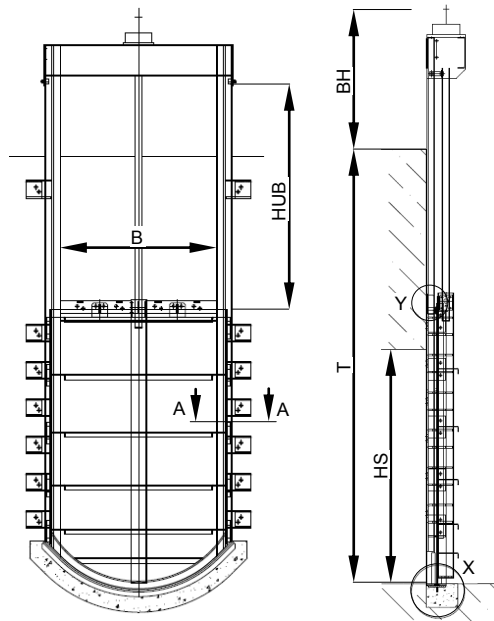


Size	G	F
1	120	150
2	150	200
3	200	250
4	200	250

Detail Y



ATEC PENSTOCK UNITEC for anchor bolting with round sill for grouting from 150x150 to 2000x2000*



Materials

Frame**	Door**	Seal**	Slide skids**	Stem**	Connection Parts**
SS 316	SS 304	Chloroprene	POM	SS 304	A4
SS 304	SS 316	Chloroprene	POM	SS 316	A4

Example for placing an order

ATEC PENSTOCK UNITEC for anchor bolting with round sill for grouting

Prod. No.

03.40.20.80

Designed to catalogue sheet

03.40.20.80

Also suitable for round hopper, for flange connection PN 10 in accordance to DIN 2501 or with regulation cover***

Materials***	Dimensions***
Frame:	DN or BxH: mm
Door:	Channel depth T****: mm
Seal:	Chloroprene Working pressure: mwc or bar
Slide skids:	POM Direction of pressure: V.. R..
Connection parts:	A4 Travel HUB: mm
	Sill design***:

* Other dimensions on request.

** Other materials and/or combinations on request

*** Please specify with the enquiry/order.

**** Dimension from penstock invert to upper edge of structure.

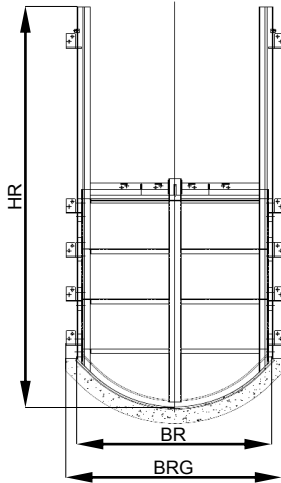
*****Detailed description see tender specification.

ATEC PENSTOCK UNITEC

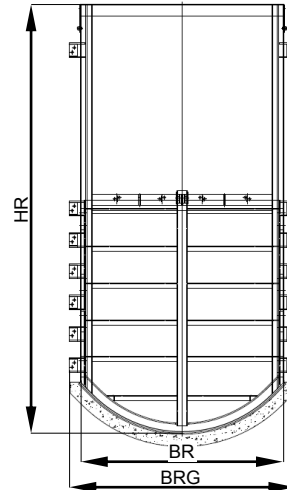
03.40.20.80

ATEC PENSTOCK UNITEC for anchor bolting with round sill for grouting.

DN 150-1200



DN 1300-2000



Dimensions

Size 1 DN or BxH	Quantity of anchor bolts	HR	BR	BRG	Weight kg	Pressure ²⁾
150	2	400	270	440	18	0,6
200	2	500	320	490	22	0,6
250	4	610	370	540	25	0,6
300	6	750	420	590	35	0,6
350	8	850	470	640	40	0,6
400	8	950	520	690	50	0,6
450	10	1050	570	740	55	0,6
500	10	1200	620	790	60	0,6
600	10	1380	720	890	70	0,6
Size 2 DN or BxH	Quantity of anchor bolts	HR	BR	BRG	Weight kg	Pressure ²⁾
700	14	1610	850	1040	90	0,6
800	16	1850	950	1140	105	0,6
900	16	2070	1050	1240	120	0,6
1000	16	2270	1150	1340	150	0,6
1100	16	2530	1250	1440	170	0,6
1200	17	2760	1350	1540	210	0,6
Size 3 DN or BxH	Quantity of anchor bolts	HR	BR	BRG	Weight kg	Pressure ²⁾
1300	18	2950	1480	1700	295	0,6
1400	20	3250	1580	1800	320	0,6
1500	20	3450	1680	1900	360	0,6
1600	22	3650	1780	2000	400	0,6
Size 4 DN or BxH	Quantity of anchor bolts	HR	BR	BRG	Weight kg	Pressure ²⁾
1700	22	3900	1900	2170	515	0,6
1800	22	4100	2000	2270	550	0,6
1900	26	4350	2100	2370	590	0,6
2000	26	4550	2200	2470	630	0,6

2) higher pressures on request