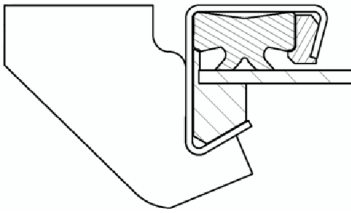


ATEC PENSTOCK ECOTEC

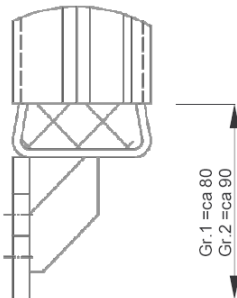
03.20.10.10

Details

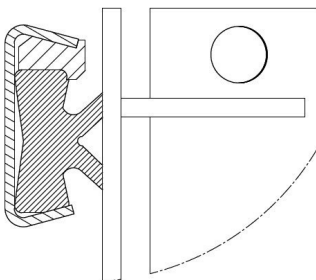
Section A-A



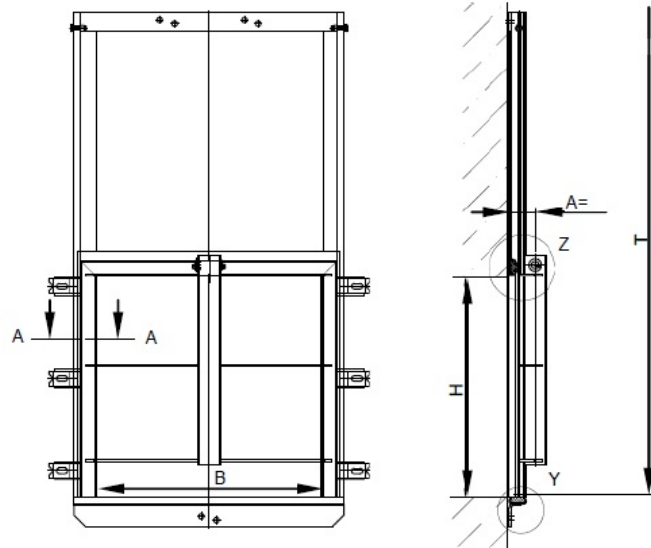
Detail Y



Detail Z



ATEC PENSTOCK ECOTEC for anchor bolting with straight sill
for anchor bolting from 200x200 to 1200x1200*



Materials

Frame**	Door**	Seal**	Slide skids**	Stem**	Connection Parts**
SS 316	SS 304	Chloroprene	POM	SS 304	A4
SS 304	SS 316	Chloroprene	POM	SS 316	A4

Example for placing an order

ATEC PENSTOCK ECOTEC for anchor bolting with straight sill for anchor bolting

Prod. No. 03.20.10.10

Designed to catalogue sheet

03.20.10.10

Also suitable for round hopper or with regulation cover*

Materials***		Dimensions***	
Frame:		DN or BxH:	mm
Door:		Channel depth T****:	mm
Seal:	Chloroprene	Working pressure:	mwc or bar
Slide skids:	POM	Direction of pressure: V..	R..
Connection parts:	A4	Travel HUB:	mm
		Sill design***:	

* Other dimensions on request.

** Other materials and/or combinations on request

*** Please specify with the enquiry/order.

**** Dimension from penstock invert to upper edge of structure.

*****Detailed description see tender specification.

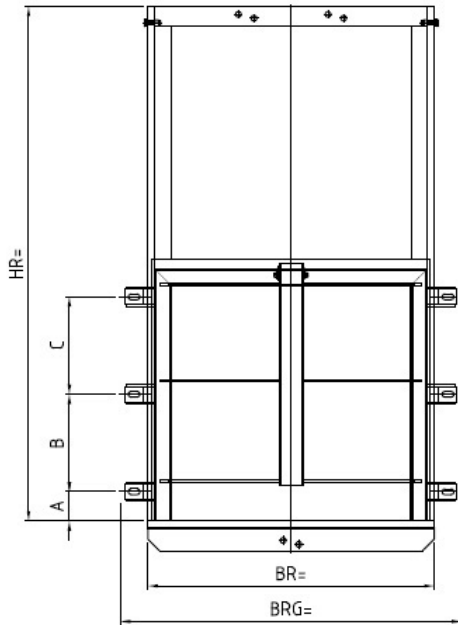
DN 150-1200 max. pressure 0,4 bar.

ATEC PENSTOCK ECOTEC

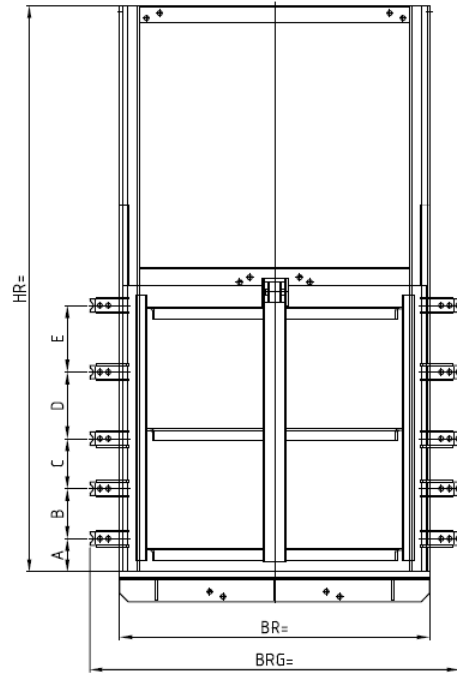
03.20.10.10

ATEC PENSTOCK ECOTEC for anchor bolting with straight sill for anchor bolting.

DN 200-600



DN 700-1200



Dimensions

Dimensions DN or BxH	Quantity of Anchor bolts	Distance between brackets					HR	BR	BRG	Weight kg
		A	B	C	D	E				
150	4	75					460	285	425	10
200	4	100					570	335	475	13
250	6	50	150				680	385	525	17
300	6	50	200				790	435	575	21
400	6	50	250				1010	535	675	30
500	8	50	200	200			1235	635	775	37
600	8	50	250	250			1455	735	875	48
700	14	100	250	350			1655	830	1010	76
800	14	100	300	400			1880	930	1110	95
900	14	100	300	450			2100	1030	1210	105
1000	16	100	250	300	350		2320	1130	1310	130
1100	18	100	200	250	250	300	2540	1230	1410	150
1200	18	100	200	250	300	350	2760	1330	1510	175

DN 150-1200 max. pressure 0,4 bar.