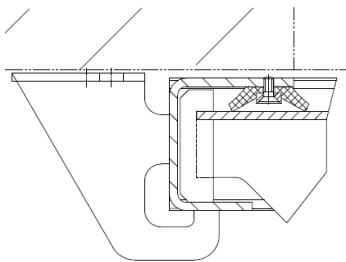


ATEC WEIR TYPE PENSTOCK UNITEC

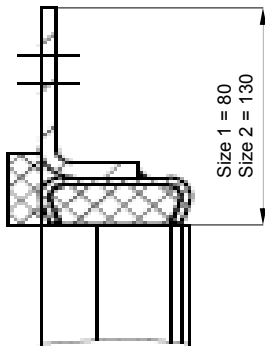
04.40.10.10

Details

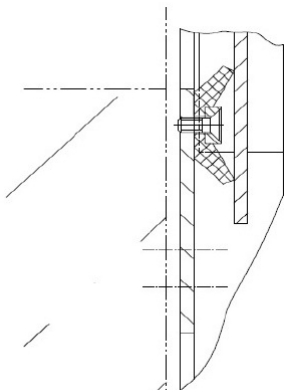
Section A-A



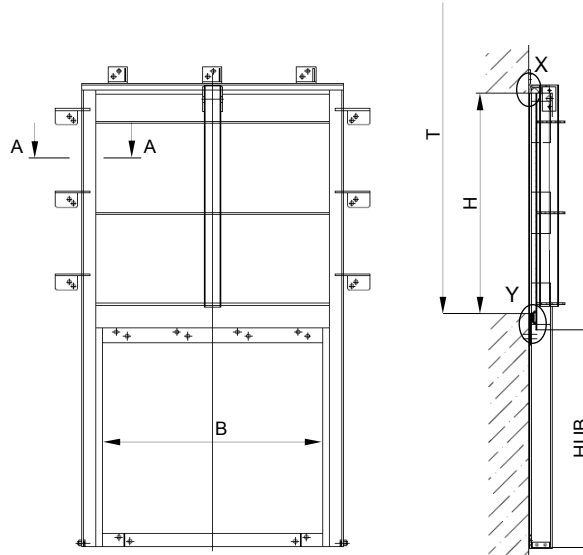
Detail X



Detail Y



ATEC WEIR TYPE PENSTOCK UNITEC for anchor bolting with straight sill for anchor bolting from 150x150 to 2000x2000*



Materials

Frame**	Door**	Seal**	Slide skids**	Stem**	Connection Parts**
SS 316	SS 304	Chloroprene	POM	SS 304	A4
SS 304	SS 316	Chloroprene	POM	SS 316	A4

Example for placing an order *****

ATEC WEIR TYPE PENSTOCK UNITEC with straight sill for anchor bolting

Prod. No.

04.40.10.10

Designed to catalogue sheet

04.40.10.10

Also suitable for round hopper or with regulation cover***

Materials***	Dimensions***
Frame:	DN or BxH: mm
Door:	Channel depth T****: mm
Seal:	Chloroprene Working pressure: mwc or bar
Slide skids:	POM Direction of pressure: V.. R..
Connection parts:	A4 Travel HUB: mm

* Other dimensions on request.

** Other materials and/or combinations on request

*** Please specify with the enquiry/order.

**** Dimension from penstock invert to upper edge of structure.

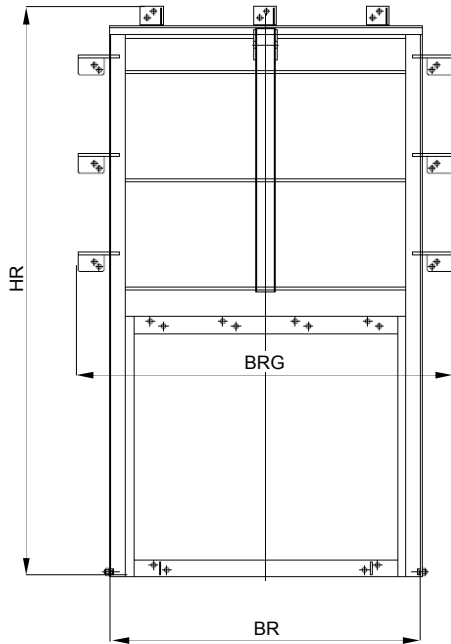
*****Detailed description see tender specification.

ATEC WEIR TYPE PENSTOCK UNITEC

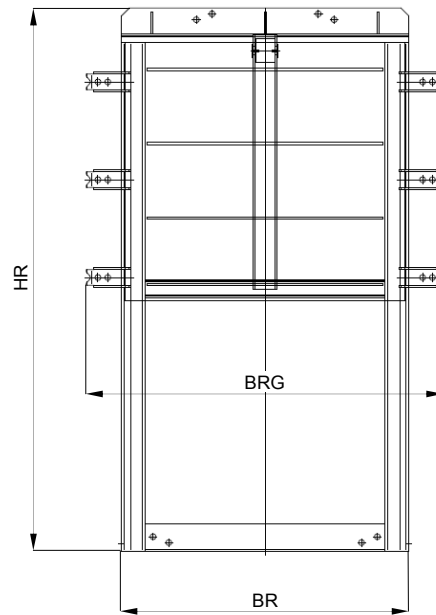
04.40.10.10

ATEC WEIR TYPE PENSTOCK UNITEC for anchor bolting with straight sill for anchor bolting.

DN 150-600



DN 700-2000



Dimensions

Size 1 DN or BxH	Quantity of anchor bolts	HR	BR	BRG	Weight kg	Pressure
150	4	450	310	530	15,3	0,6
200	6	550	360	580	18	0,6
250	6	650	410	630	20,7	0,6
300	8	750	460	680	27	0,6
350	8	850	510	730	32,4	0,6
400	10	950	560	780	40,5	0,6
450	10	1050	610	830	44	0,6
500	12	1150	660	880	50	0,6
600	12	1350	760	980	63	0,6
700	16	1550	860	1080	81	0,6
800	18	1750	960	1180	95	0,6
900	18	1950	1060	1280	108	0,6
1000	18	2150	1160	1380	135	0,6
1100	22	2350	1260	1480	162	0,6
1200	24	2550	1360	1580	189	0,6

Size 1 DN or BxH	Quantity of anchor bolts	HR	BR	BRG	Weight kg	Pressure
700	16	1650	900	1150	90	0,6
800	18	1850	1000	1250	108	0,6
900	18	2050	1100	1350	153	0,6
1000	20	2250	1200	1450	180	0,6
1100	24	2450	1300	1550	189	0,6
1200	24	2650	1400	1650	207	0,6
1300	26	2850	1500	1750	225	0,6
1400	26	3050	1600	1850	234	0,6
1500	28	3250	1700	1950	252	0,6
1600	28	3450	1800	2050	288	0,6
1700	30	3650	1900	2150	324	0,6
1800	32	3850	2000	2250	360	0,6
1900	34	4050	2100	2350	396	0,6
2000	36	4250	2200	2450	414	0,6